

Series 93-FL

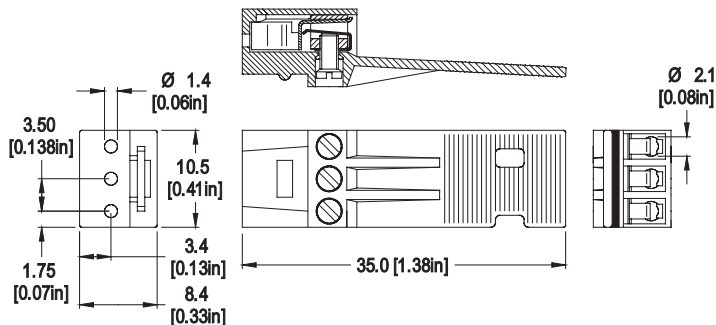
Types 930-HFL (-DS)

3.5 mm spacing • 3 poles



One possible variation of assembly

930-HFL (-DS)



Dimensions: mm (in.) When locating connector, allow 0.5 mm clearance around it for process-induced variations.

Series 93-FL

Types 930 / 931-HSL

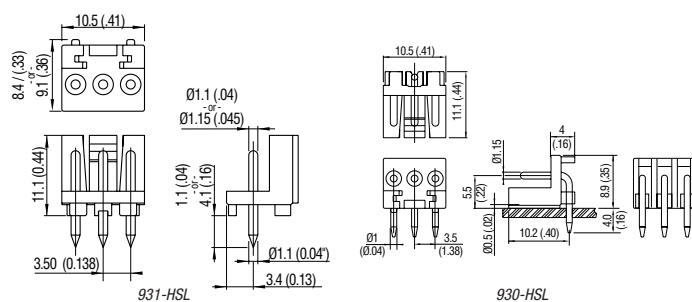
3.5 mm spacing • 3 poles



One possible variation of assembly

930-HSL / 03

931-HSL / 03



Dimensions: mm (in.) When locating connector, allow 0.5 mm clearance around it for process-induced variations.

DESCRIPTION

These products were created for the broadcasting and video production industries but can be used in all applications where a small wire gauge is needed. Series 930-HFL features a handle to simplify vertical in-line insertion and removal and is designed to provide strain relief for the terminated wires. The plug and header are designed to prevent accidental separation of the two parts. Horizontal and vertical plug-in versions are available, both versions feature 3 poles and 3.5 mm center to center spacing.

- **Plug**
- Plug-In Direction and Wire Entrance Parallel to PCB when plugged with 930-HSL
- Plug-In Direction and Wire Entrance Perpendicular to PCB when plugged with 931-HSL

TECHNICAL DATA

Center to Center Spacing: 3.5 mm (0.138 in.) Wire Stripping length: 5 mm (0.20 in.)  
Nominal Cross Section: 0.75 mm<sup>2</sup> (1162 mils<sup>2</sup>)

APPROVAL INFORMATION

	Rating	Current (A)	Voltage (V)	AWG	Application Group	Screw Tightening Torque
UL File No.: E69841	UL	6	300	28-18	B,C	max. 2.0 lbf.in.
CSA File No.: LR24322	CSA	6	300	28-18	B	max. 0.2 Nm

DS version is CSA certified for 28-20 AWG.  
Rated Impulse Withstand Voltage: 2500 V

MATERIAL

**MOLDING:** Polyamide, self extinguishing to UL 94, V-0, grey  
**TEMPERATURE LIMITS:** Short time: 200°C (390°F)  
Continuous: RTI 105°C (221°F)  
Low limit: -40°C (-40°F)  
Comparative Tracking Index: CTI > 600  
Oxygen Index Rating: 31%

Terminal Body: nickel plated copper alloy  
Wire Protector: nickel silver  
Contact Spring: tin plated copper alloy  
Screw: yellow chromate passivated, zinc plated, steel, M2

ACCESSORIES

- BST Self Adhesive Marking Strips. Consecutively numbered.
- LST Single Pins.

OPTIONS See How to Order. If more than one option is required, please separate each option with a dash (-).

SM: Special Marking (please provide sketch)  
G05: Gold Plating (5 micro inches)  
G30: Gold Plating (30 micro inches)  
S30: Silver Plating (30 micro inches)  
(Plated components: contact spring)

HOW TO ORDER

	WIRE PROTECTOR: with: - DS	OPTIONS: SM, G05, G30, S30
930-HFL		/03-

www.weco.ca/products/930-HFL (-DS)



www.weco.ca/products/930 / 931-HSL